

LIFTMASTER

Strong Arm

Operating Manual

Strong Arm Operating Manual—OM0008E/2

This manual contains important safety, installation and operating instructions for this unit. Read this manual thoroughly and completely, and retain for future reference. This unit can cause serious injury to personnel or damage to property if used incorrectly, therefore do not use this machine for any other purpose apart from its intended use. Using this unit incorrectly may void warranty.

Any damage audible or visible to this unit should be addressed at the time of discovery. Electrodrive Pty Ltd can provide parts and service support on request through its service partner company:

Serviced Equipment Pty Ltd

p: 1300 934 471

e: service@fallshaw.com.au

Made in Australia by:

Electrodrive Pty Ltd

2A Ayton Street, Sunshine North VIC Australia 3020

p: 1300 934 471 (within Australia)

p: +61 (03) 9300 8521 (International)

e: sales@electrodrive.com.au

w: www.electrodrive.com.au

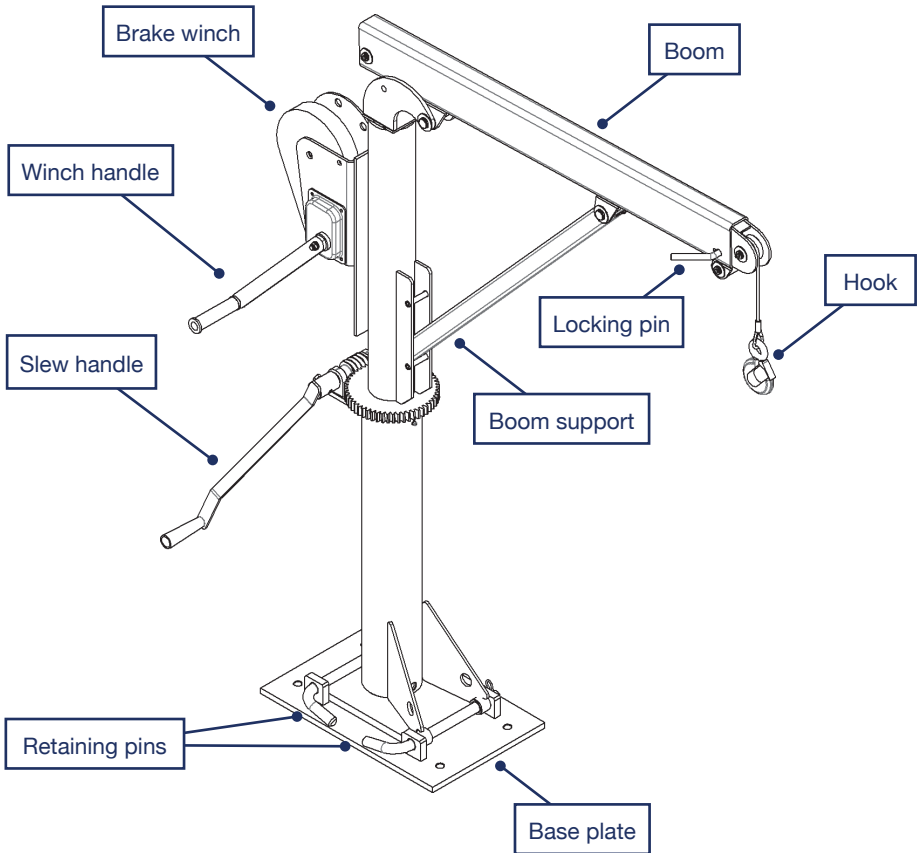
© Electrodrive

Contents

Introduction	4
Assembly	5
Brake winch handle	5
Slew Handle.....	5
Operating instructions	6
Safety check	6
Using the Strong Arm	6
Adjusting the boom	6
Maintenance	7
Warranty	8
Unauthorised maintenance.....	8
Misuse	8
General wear items not covered under warranty.....	8
Appendix 1: Specifications	9
Appendix 2: Mounting plate	10
Appendix 3: Boom length and weight guidelines	11
Service log	12

Introduction

The Liftmaster Strong Arm is a cantilever crane used for carrying heavy loads up onto an elevated surface.



Model	Working Load Limit	Max Load
SIS4HW	500 kg	500 kg

Assembly



Onsite installation and mounting must be done by a qualified engineer.

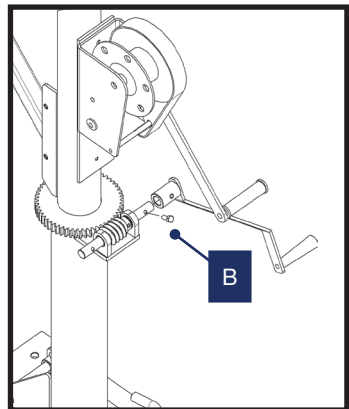
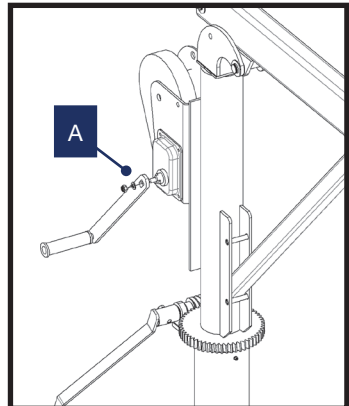
See Appendix 1 for mounting plate diagram for hole placement.

Brake winch handle

1. Unscrew locking nut (A) on brake winch.
2. Place brake winch handle onto bolt.
3. Screw locking nut into place to secure brake winch handle.

Slew Handle

4. Unscrew the nut and remove the small bolt (B) on the slew.
5. Attach slew handle by sliding it onto the slew, aligning the bolt hole.



Operating instructions

Safety check

Before using the Strong Arm, the operator should complete the following check:

1. Retaining pins are locked correctly and the unit is secured to the base plate.
2. Boom support is in correct position and that it firmly holds the boom.
3. Boom locking pin is secure, preventing the boom from sliding.

Using the Strong Arm

1. Rotate winch handle anti-clockwise to lower hook.
2. Secure load to the hook.



Prior to lifting, check that the clip on the hook is locked in place and that the hook has a proper lift point.

3. Rotate handle clockwise slowly to raise the load in a safe manner.
4. Rotate slew handle to turn the boom in a circular arc either clockwise or anti-clockwise.

Adjusting the boom

Extending the boom

Remove boom locking pin and slowly slide boom to desired length and reattach locking pin to secure the boom.

Adjusting the boom height

Have a firm grip on the boom and boom support and slowly raise until desired angle is reached. Placing boom support into holder, make sure it is safely secured.

See Appendix 3 for boom length and weight guidelines.



Boom is not to be extended or raised while the weight is attached.
All changes must be done prior to operation.

Maintenance

- Always check cable and hook for signs of damage, wear and fraying.
- Check for any structural damage.
- Check that the winch locks correctly and winch cogs and teeth are sufficiently lubricated with *CRC TAC2* (or equivalent) adhesive lubricant. Check that the roller pins are free of damage and moving correctly.
- Check that all pins, washers and clips aren't damaged or missing.

Warranty

Electrodrive Pty Ltd warrants that this product is free from defects in materials and workmanship for a period of twelve months from the date of dispatch from the Electrodrive plant.

If a defect is reported, Electrodrive will repair or replace the defective part, at its own discretion. This warranty does not apply if this unit has been misused, damaged, or modified in any way.

Please be aware that modifications and misuse will void your warranty. The following activities (including, but not limited to) are examples of these:

Unauthorised maintenance

- There are modifications to the body or frame of the machine
- Use of non-specified parts
- The machine is serviced by an unauthorised service agent

Misuse

- Overloading the unit during lifting
- Carrying people or other foreign objects
- Exposed to rain or other precipitation, unless weatherproof option is installed
- Exposed to a corrosive environment

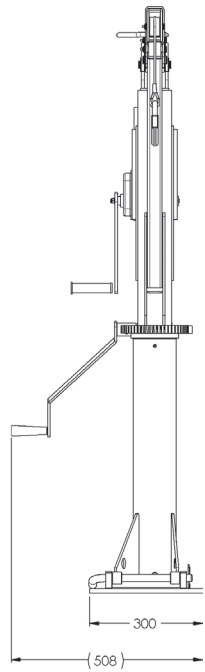
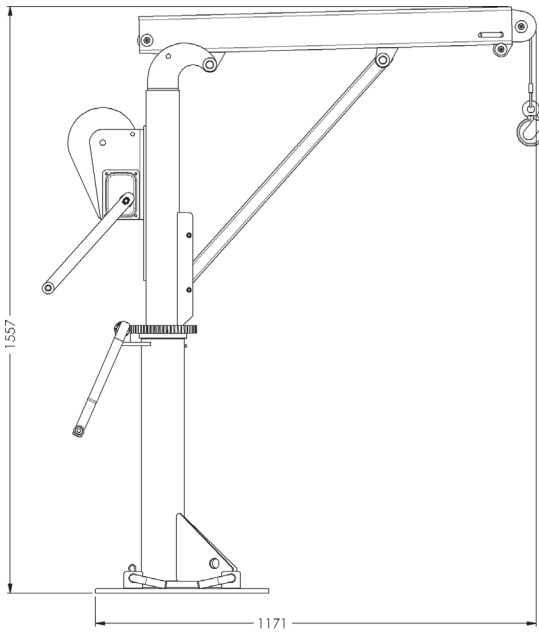
General wear items not covered under warranty

- Tyres, tubes and castors

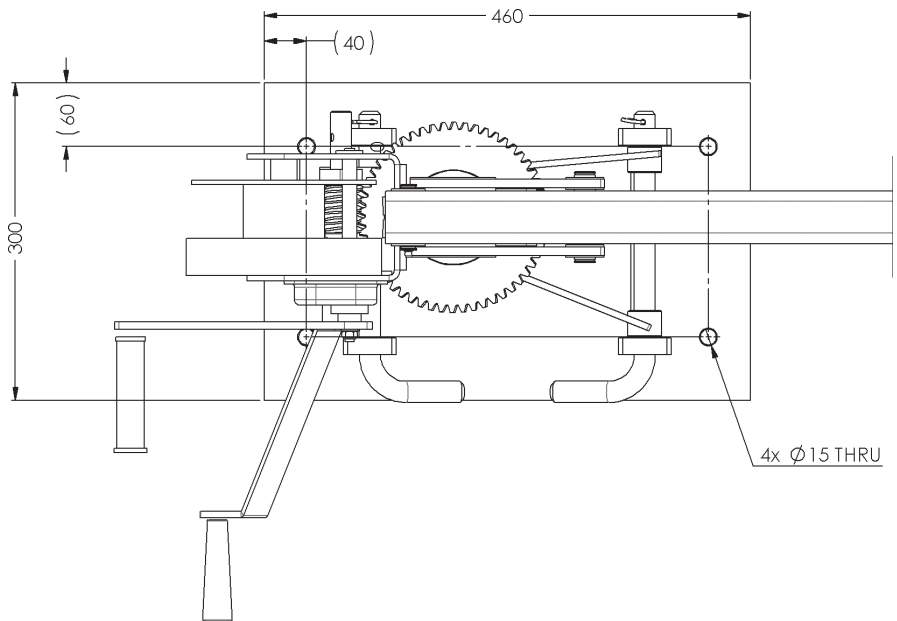
Appendix 1: Specifications

The Strong Arm has been load tested in accordance with Test Specification Clause 12.2/AS4991-2004 (Certificate Number ALS31085).

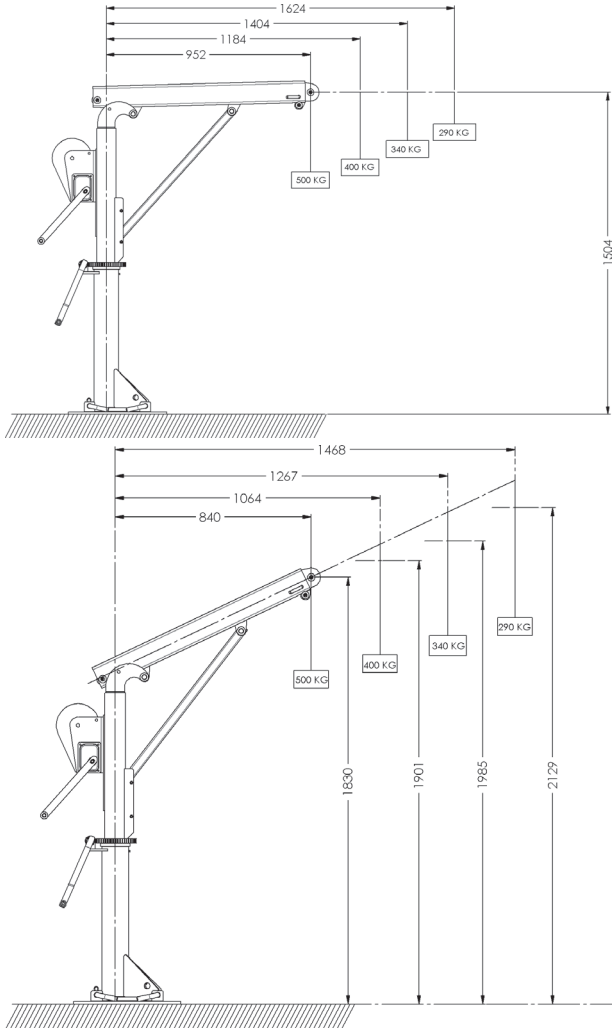
See Appendix 3 for boom length and weight guidelines.



Appendix 2: Mounting plate



Appendix 3: Boom length and weight guidelines



Service log

Service recommendations

To ensure this equipment is kept in a safe and reliable condition, it is important to follow a preventative maintenance program. Maintain a log of the service work on the cards below, and always use an approved Electrodrive service agent to conduct the works. Approved service personnel will be provided with all necessary documents and components in service repair, including but not limited to, circuit diagrams, component part lists, descriptions, service checklists and spare parts.

6 month service

Date of service		Service agent	
Machine serial number			
Summary of works			
Next service due			

12 month service

Date of service		Service agent	
Machine serial number			
Summary of works			
Next service due			

18 month service

Date of service		Service agent	
Machine serial number			
Summary of works			
Next service due			

24 month service

Date of service		Service agent	
Machine serial number			
Summary of works			
Next service due			

30 month service

Date of service		Service agent	
Machine serial number			
Summary of works			
Next service due			

36 month service

Date of service		Service agent	
Machine serial number			
Summary of works			
Next service due			

42 month service

Date of service		Service agent	
Machine serial number			
Summary of works			
Next service due			

48 month service

Date of service		Service agent	
Machine serial number			
Summary of works			
Next service due			

54 month service

Date of service		Service agent	
Machine serial number			
Summary of works			
Next service due			

60 month service

Date of service		Service agent	
Machine serial number			
Summary of works			
Next service due			

Mobility solutions to help you push, pull & lift with ease

www.electrodrive.com.au